



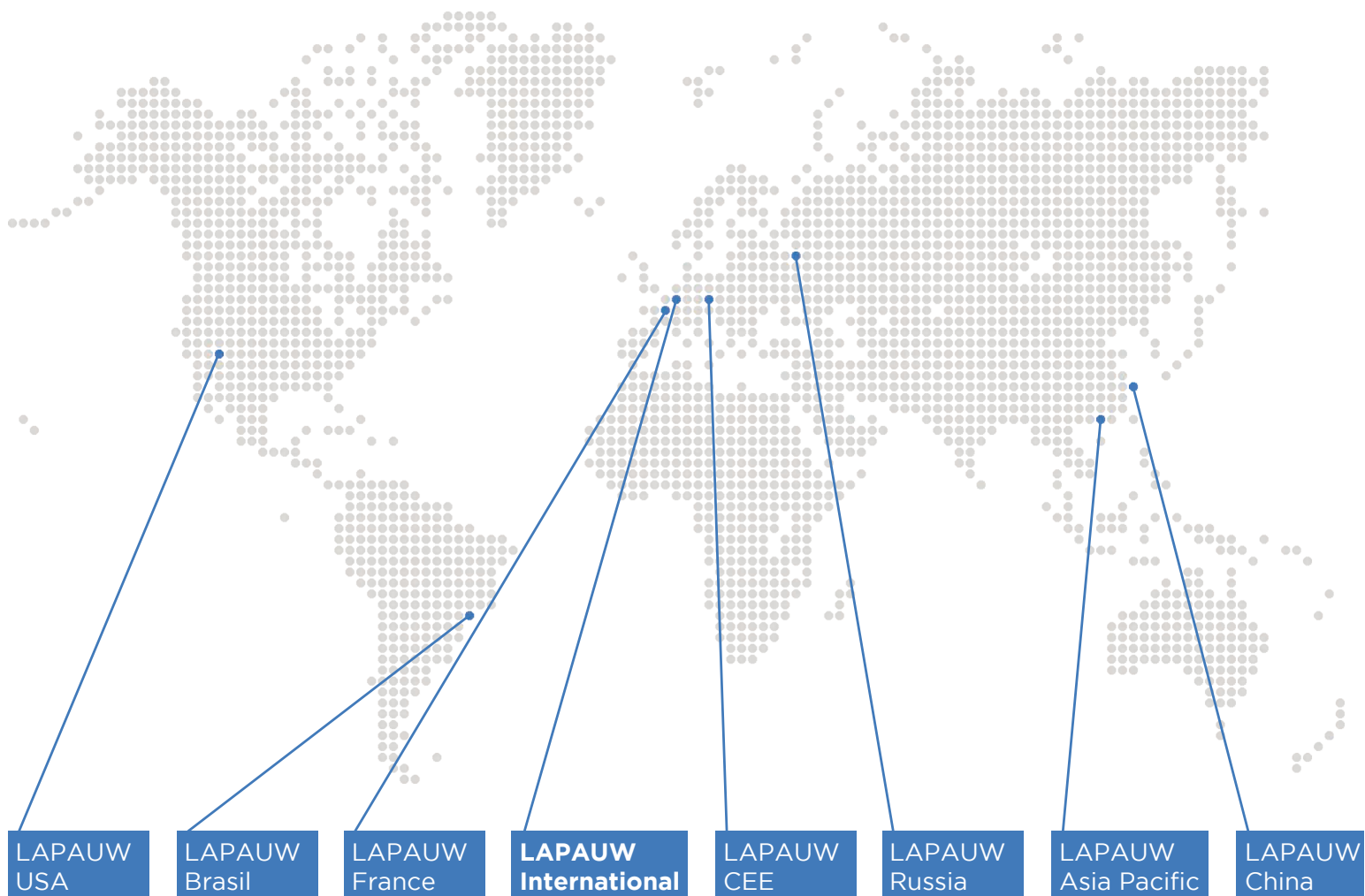
# WASHING SOLUTIONS

# Lapauw throughout the *world*

## Worldwide dealer network:

Lapauw has a worldwide dealer network to serve its customers with the professionalism that is required. All dealers have a warehouse with the most common parts and all spare parts are always on stock at Lapauw for a 24 hr service.

Your closest local Lapauw partner can be found on our website: [www.lapauw.be](http://www.lapauw.be)



# Table of *content*

Lapauw throughout the world	2
Table of content	3
Beyond Innovation - Lapauw: Shaping laundry technology	4
Overview	6
3 Pocket Frontal Washer Extractor	8
Open Pocket Washer Extractor	12
Toploader Washer Extractor	15
Barrier Washers	17
Washer Extractors: More Key Benefits	22
Washer Extractors: Options	23
Trolley-Wash	24
Product Overview	26
Contact Info	back



## BEYOND INNOVATION

\* All images and data in this brochure are for reference only and are not binding!

## Beyond Innovation

# *Lapauw:* Shaping laundry technology

Since the mid 20th century, Lapauw has shaped laundry technology.

Did you know that the flexible chest technology is in fact a Lapauw development? And the “steamless laundry” concept would not even exist if it wasn’t for the gas heated ironers, a technology that saw the light in the Lapauw factory, in 1995. Ever since the very first ironer, in 1950 (with flexible chest), Lapauw has been on the vanguard of laundry technology, as Lapauw always adopted an “out of the box” approach to the specific challenges that come with laundry machinery.

Today, Lapauw manufactures a wide range of laundry equipment :

- Lapauw is one of the few manufacturers of heavy duty washer-extractors.
- Lapauw has the widest range of ironers, all of them equipped with the flexible chest technology.
- Lapauw complements its ironers with a full range of feeders and folders.
- The Hot Stream tunnel finisher is well reputed for the first class finish it delivers.
- The Lapauw Trolley Wash takes care of trolleys or even disinfects hospital beds.

But most important of all, owners of the more than 8000 machines sold in over 40 countries know the Lapauw machines as highly efficient, long lived machines that assure the lowest operational cost.



# ***“Beyond Innovation”***. These 2 words are more than a slogan, as they return to the 3 cornerstones of our philosophy.

## **Innovation**

Lapauw invests heavily in R&D. The aim is not just to innovate, but to go beyond innovation by creating benefits for the customer. When developing new machines, we care about improving efficiency, ergonomics and ecology.

The R&D team is located in the factory in Kortrijk, where they stay in close contact with sales and manufacturing. This allows them to keep a finger on the pulse of laundry business and maintain a “hands-on” approach to Research and Development.

## **Quality Management**

Having obtained the ISO 9001:2008 certificate in 2013, Lapauw is one of the very few laundry machinery manufacturers that can put the ISO seal on its official documents. A seal that is worldwide recognized as a symbol of “business excellence”.

With ISO 9001:2008, we go beyond just the quality of the machines and take quality management into the whole process: from the moment we pick up the phone to the after sales and shipments of spare parts, assuring that our customers are served with the highest level of professionalism.

## **Reliability and servicability**

As the Total Cost of Ownership of laundry machines becomes more important, Lapauw goes to great efforts to keep the maintenance and operational costs of the machines to a minimum.

Through our network of distributors and Lapauw offices on every continent, we stay very close to our end users in hotels, hospitals and laundries, assuring them close support and short reaction times.

The simple, robust construction of the machines and the “Open Spare Parts” philosophy assure high reliability rates and minimum maintenance costs.



# Washer Extractors: Overview

## Lapauw *Washer Extractors*

### 3 Pocket Frontal Washer Extractor

The 3-compartment design divides the load into 3 equal, separated compartments, preventing large items from getting entangled. This assures higher operator comfort and faster preparation times at flatwork finishing side. This is the reason why hotel laundries favor the Combi 3-compartment.



Frontal Washer

### Open Pocket Washer Extractor

The Lapauw open pocket washer extractor offers you an industrial solution to all your heavy-duty needs. Traditional laundry factories, factories specialized in mat washing and even the stonewash and dyeing industry are well acquainted with the Lapauw open pocket washers. The open pocket washers are frequently used to wash garments and towels as well as the traditional linen.



Frontal Washer

Frontal Washer



### Toploader

A top loading washer extractor is much more than just a washer. Thanks to the automatic top loading concept, the Lapauw Top Loading washer extractor can easily be integrated into any automatic washing line with monorail bag system. Moreover, the Top Loading washer extractor adds flexibility and quality to lines where various types of work, soiling and materials are processed, like workwear. The Lapauw Toploader can also be built in as barrier solution.

### Water recovery

Every Lapauw washer is already prepared for future water recovery when it leaves the factory. Lapauw also offers an extended range of options, from a recuperation pump to connect a central unit to recuperation tanks, mounted on top of the washer.

## Mediwave

The Mediwave takes barrier washer design to a whole new level. Thanks to the GRP covers, instead of stainless steel, the Mediwave is the cleanest, most hygienic machine on the market. But cleanliness is not the only thing that Lapauw tackled with the Mediwave. With the redesigned drum access and intuitive control system, the Mediwave is the most ergonomic washer on the market.

The Mediwave is the next generation barrier washer, adapted to operate in any environment where the strictest hygienic standards rule, from hospital laundries to cleanrooms.



Barrier Washer

Barrier Washer



## Pullman

Besides the Mediwave, Lapauw also offers the stainless steel version of the barrier washer: The Pullman. The Lapauw Pullman is our side loaded machine and is available in a wide range and with both 2 or 3 compartments.

This washer is available as either standard version or medical version.

# Lapauw *Trolley-Wash*

Trolley-Wash



## Trolley-Wash

Originally designed to disinfect laundry trolleys and hospital beds, the Trolley-Wash has earned its reputation as a universal wash- and disinfection unit. Thanks to an elaborate package of accessories and options, the Trolley-Wash can be adapted to wash and disinfect almost everything, from trolleys to hygienic containers and even gasmasks.

# Washer Extractors: 3 Pocket Frontal

## Optimizing laundry efficiency

Due to the mechanical movement of the drum, sheets get tangled in open pockets, and especially on the large drum volumes. The split pocket washer separates the load in smaller batches, and as a result, the sheets get less entangled. This assures easier unloading and more efficient handling between washer and finishing line.

## Key *Benefits*

### Inner door security

A security component is installed to stop the outer door being closed when the inner door is not closed properly. This way, it is not possible to start the washer without the doors being properly closed.



Inner door security.

### Large door opening

With 3000 to 3500 cm<sup>2</sup>, the Lapauw 3 pocket washer line offers one of the largest drum access openings for split pocket machines on the market.

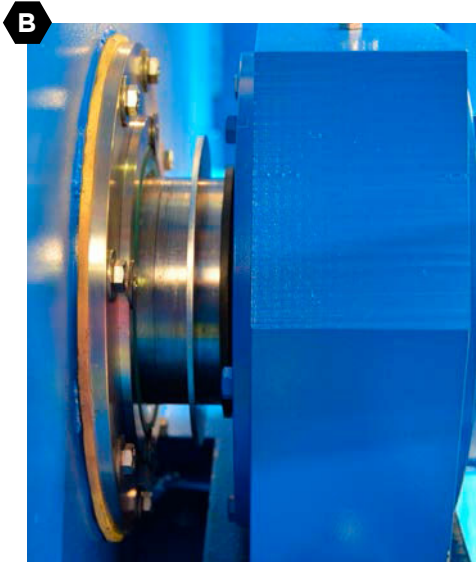
This assures a high productivity and an efficient handling of even large volumes of linen. The compartment positions itself automatically to always assure a perfect alignment between the compartment and the outer door.





### Bearing system

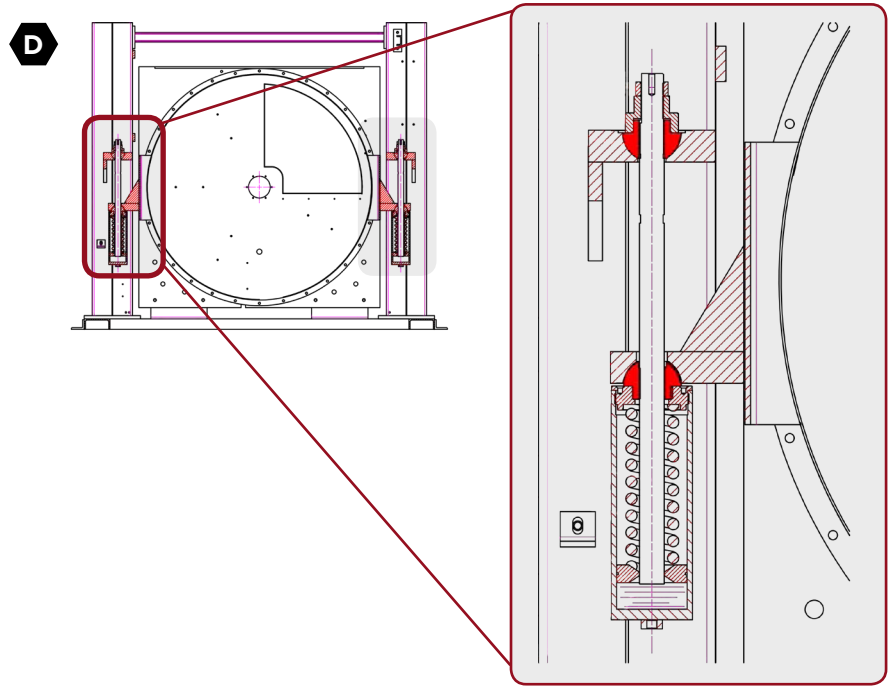
The drum is held in place by heavy duty roller bearings on the front and back of the machine. The bearings are mounted outside and independently from the drum, avoiding any contact with water and assuring easy maintenance.



Outer drum      Bearing system

### Unique suspension

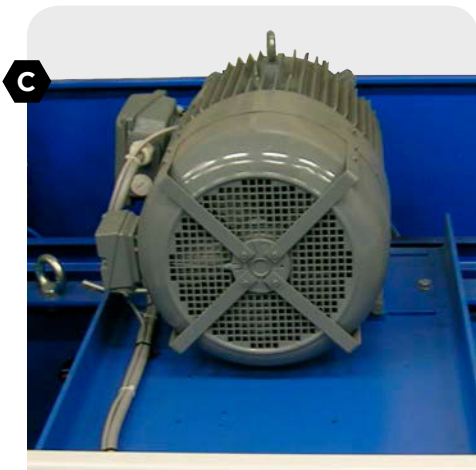
Instead of resting on shock absorbers, the drum is positioned on the suspension system, which always stabilizes the drum in the middle and assures a natural balance. The suspension system consists of 4 units with spring in an oil bath, assuring a durable and easy to maintain suspension system.



Location of the shock absorbers

### Single motor drive

The single motor drive, even on the largest capacity machines, with frequency converter, assures high efficiency and an unlimited choice in speeds.



Single motor drive



### Brake system

There are 2 brake systems on the machine. One is the main brake system used after extraction and the other one is a security brake used to avoid movement of the drum during loading and unloading of the machine. The main brake is self aligning and both brakes have an easy replaceable brake strip.

### Soap dispenser unit

The soap dispenser unit is made of a composite that can handle all kinds of liquid and powder products. The dispenser unit has as standard 5 supply reservoirs: 2 for liquid products and 3 for powder products.

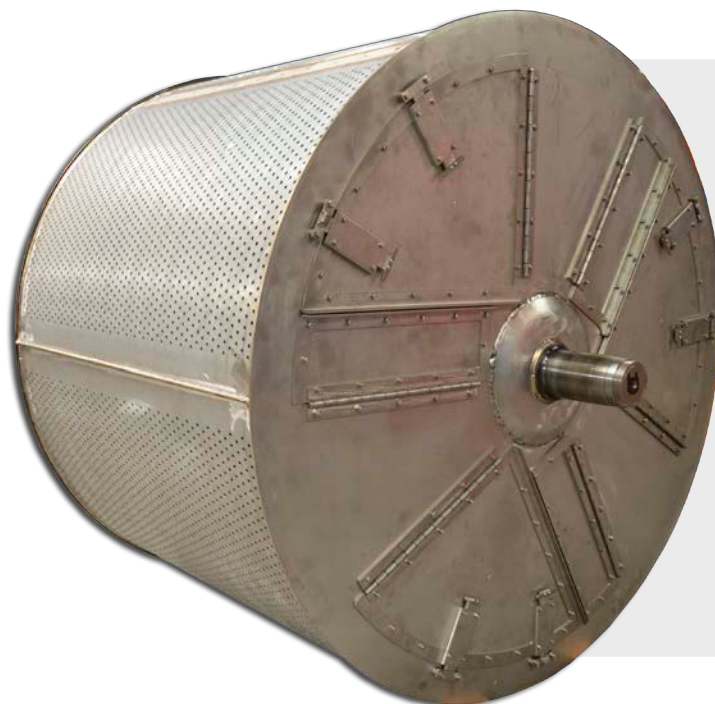
On the machine, there is also a central connection point for external liquids programmable from the lapauw PLC (10 digital signals).



Soap dispenser unit

### Heavy duty

Lapauw washers are built to last. The inner drum is made of AISI 304 stainless steel of 4 mm thick. The outer drum is also made of AISI 304 stainless steel of 4 mm, all with continuous welding. The front and back of the outer drum are made of 20 mm thick steel covered by 1 mm stainless steel on the inside.



3 Pocket Frontal drums, made for heavy duty

**INDUSTRIAL LAUNDRY,**  
SAUDI ARABIA

**CHIME LONG,**  
CHINA

**GOVERNMENTAL  
INSTITUTION,**  
UNITED KINGDOM



# Technical *Specifications*

## Dimensions

	C660	C1000	C1600	C2000	C3000	C4000
Width (mm)	2.320	2.340	2.520	2.595	2.940	3.033
Depth (mm)	1.295	1.465	1.715	1.935	1.990	2.320
Height (mm)	2.050	2.150	2.255	2.255	2.740	2.840
Weight (kg)	3.180	3.200	5.300	5.665	6.970	8.290

## General

		C660	C1000	C1600	C2000	C3000	C4000
Loading capacity	kg	60	100	160	200	300	400
Compartments	#	3, Frontal loading	3, Frontal loading	3, Frontal loading	3, Frontal loading	3, Frontal loading	3, Frontal loading
Drum volume	liter	663	1.061	1.625	2.031	2.944	3.917
Drum diameter	mm	1.300	1.300	1.500	1.500	1.830	1.830
Drum Depth	mm	500	800	920	1.150	1.120	1.490
Door opening surface	cm <sup>2</sup>	2.300	2.300	2.800	2.800	4.300	4.300
Extract speed	RPM	725	725	650	650	600	600
G-factor	-	383	383	355	355	369	369
Motor	Single motor with variable speed drive						
Motorpower	kW	19	22	30	37	45	50
Water inlet	inch	6/4" (DN40)	6/4" (DN40)	2" (DN50)	2" (DN50)	2 1/2" (DN65)	2 1/2" (DN65)
Steam inlet	inch	3/4" (DN20)	3/4" (DN20)	1" (DN25)	1" (DN25)	5/4" (DN32)	5/4" (DN32)
Compressed air inlet	inch	3/8" (DN10)	3/8" (DN10)	3/8" (DN10)	3/8" (DN10)	3/8" (DN10)	3/8" (DN10)
Drain diameter	inch	6" (DN150)	6" (DN150)	6" (DN150)	6" (DN150)	8" (DN200)	8" (DN200)
Soap units	#	5	5	5	5	5	5
Noise level	db	72	72	72	72	72	72

## Possible versions

	C660	C1000	C1600	C2000	C3000	C4000
Standard	v	v	v	v	v	v
Medicare	v	v	v	v	v	v

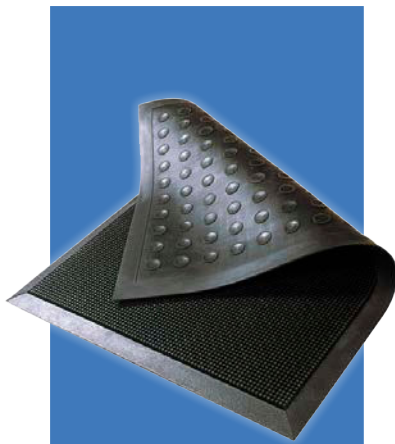


# Washer Extractors: Open Pocket

## The real heavy duty machine

Up to the latest detail, our washer extractors are designed to be the true heavy duty partner.

The inner and outer drum are all in stainless steel (AISI 304) and have a thickness of 4 mm. The framework has a thickness of 20 mm. This assures that the Lapauw Open Pocket washer is designed to withstand the high forces that come with heavy loads, making the Lapauw Open Pocket washer the best choice even for the toughest jobs, like mats and marquees.



The Lapauw Open Pocket is your perfect heavy duty partner.



## Consistent tilting

The Lapauw Open Pocket range is available with optional one way forward tilting or two way forward and backward tilting. The integral system allows the machine to tilt 12° backwards and 19° forwards, for easy loading and unloading.



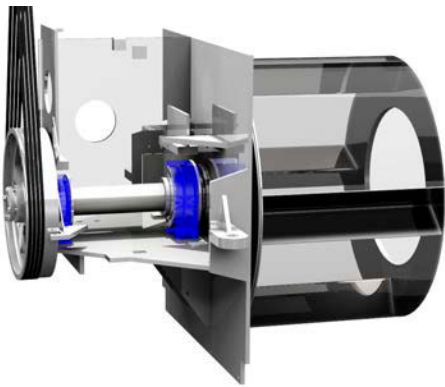
Left to right: Normal - Tilting - Unloading

# Key Benefits

## Bearing system

The drum is held in place by heavy duty roller bearings on 2 points of the shaft, which assures stable operation and long bearing life cycles.

The bearings are mounted outside and independently from the drum, avoiding any contact with water and assuring easy maintenance.



## Unique suspension

Instead of resting on shock absorbers, the drum is suspended in the suspension system, which always stabilizes the drum in the lowest point and assures a natural balance.

The suspension system consists out of 4 units with double springs in an oil bath, assuring a durable and easy to maintain suspension system

## Single drive motor

The single motor drive, even on the largest capacity machines, with frequency convertor, assures high efficiency and an unlimited choice in speeds.

## Also available in stonewash and dyeing version.

Thanks to its robustness, the Lapauw washer extractor is well known to the stonewash and dyeing industry.



Combi 3305 with dyeing installation and heat exchanger for indirect heating.

## Large door with pneumatic opening (option)

The door opening on the Lapauw Open Pocket washers is big, assuring unlimited access to the drum.

The pneumatic system assures that the door opens fully and is held in open position.



# Technical Specifications

## Dimensions

	C1001	C1201	C1601	C2201	C3301	C3501	C5001
Width (mm)	1.840	2.336	2.620	2.800	3.250	2.930	2.930
Depth (mm)	2.137	2.203	2.380	2.610	3.180	2.520	3.600
Height (mm)	2.202	2.550	2.635	2.860	3.100	2.510	2.510
Weight (kg)	2.700	5.400	6.650	8.400	11.000	6.225	7.545

## General

		C1001	C1201	C1601	C2201	C3301	C3501	C5001
Loading capacity	kg	100	120	160	220	330	350	500
Tilting	-	Option	forward & backward	forward & backward	forward & backward	forward & backward	forward & backward	forward & backward
Drum volume	liter	1.061	1.194	1.606	2.206	3.301	3.542	4.959
Drum diameter	mm	1.300	1.300	1.460	1.660	1.900	1.900	1.900
Drum depth	mm	800	900	960	1.020	1.165	1.250	1.750
Doorway diameter	mm	750	750	850	1.000	1.000	1.000	1.000
Extract speed	RPM	700	650	620	600	550	125	125
G-factor	-	357	308	314	335	322	N/A	N/A
Motor	With variable speed drive							
Motorpower	kW	15	22	22	30	37	15	30
Water inlet	inch	6/4" (DN40)	2" (DN50)	2" (DN50)	2 1/2" (DN65)	2 1/2" (DN65)	2 1/2" (DN65)	2 1/2" (DN65)
Steam inlet	inch	3/4" (DN20)	1" (DN25)	1" (DN25)	1" (DN25)	5/4" (DN32)	5/4" (DN32)	5/4" (DN32)
Compressed air inlet	inch	3/8" (DN10)	3/8" (DN10)	3/8" (DN10)	3/8" (DN10)	3/8" (DN10)	3/8" (DN10)	3/8" (DN10)
Drain diameter	inch	4" (DN100)	6" (DN150)	6" (DN150)	8" (DN200)	8" (DN200)	8" (DN200)	8" (DN200)
Soap units	#	5	5	5	5	5	5	5
Noise level	db	72	72	72	72	72	72	72

## Possible versions

	C1001	C1201	C1601	C2201	C3301	C3501	C5001
Fixed	v	v	v	v	v	v	v
Front tilt	v	v	v	v	v	v	v
Barrier		v	v	v			
Front tilt	v	v	v	v	v	v	v
Two way tilt		v	v	v	v	v	v
Toploading		v	v	v			

**OPEN POCKET IN ACTION,**  
United Kingdom  
Combi 1001

**MOP WASHING,**  
Norway  
Combi 2205

# Washer Extractors: Toploader

## Range

### Wide range

From 120 kg up to 220 kg washing capacity, Lapauw offers the top loading washer extractor in a very wide range.

### Dimensions

	C1206	C1606	C2206
Width (mm)	2.356	2.510	3.206
Depth (mm)	2.477	2.470	2.610
Height (mm)	2.590	2.595	2.815
Weight (kg)	5.270	6.700	8.400



Closed top door Toploader



Opened top door Toploader

# Key *Benefits*

## An addition to today's laundry.

The Lapauw Toploader washer extractor is much more than just a washer. Thanks to the automatic toploading concept, the Lapauw Toploader washer extractor can be integrated into any automatic washing line with monorail bag system. Moreover, the Toploader washer extractor adds flexibility and quality to lines where various types of work, soiling and materials are processed, like workwear.

## A hygienic barrier solution

With automatic toploading and tilt-unloading, the Lapauw Toploader washer is the hygienic solution for Open Pocket washers.

## Proven technology

The Toploader is everything except unknown terrain. We combined well known and proven technology: the framework of the Open Pocket Washer Extractor, with the inner door of the Pullman Washer Extractor, a combination that always works flawlessly.

## Flexible automation

With the bag loading system and the tilting system, the Lapauw Toploader is capable of fully automatic operation.

# Technical *Specifications*

		C1206	C1606	C2206
Loading capacity	kg	120	160	220
Tilting	19°	forward	forward	forward
Drum volume	liter	1.200	1.600	2.200
Drum diameter	mm	1.300	1.460	1.660
Drum depth	mm	900	960	1.020
Extract speed	RPM	750	610	610
G-factor	-	356	305	345
Motorpower	kW	22	22	2 x 11
Water inlet 2x	inch	2" (DN50)	2 1/2" (DN65)	2 1/2" (DN65)
Steam inlet	inch	1" (DN25)	1" (DN25)	1" (DN25)
Compressed air inlet	inch	3/8" (DN10)	3/8" (DN10)	3/8" (DN10)
Drain diameter	mm	148 (5.83")	148 (5.83")	200 (7.87")





# Washer Extractors: Barrier Washers



# Key *Benefits* of the Lapauw Mediwave

## GRP - The next level in hygiene

The Lapauw Mediwave is the first industrial barrier washer on the market that uses Glass fiber Reinforced Polymer (GRP) for the front and back cover, while GRP provides excellent hygienic properties.

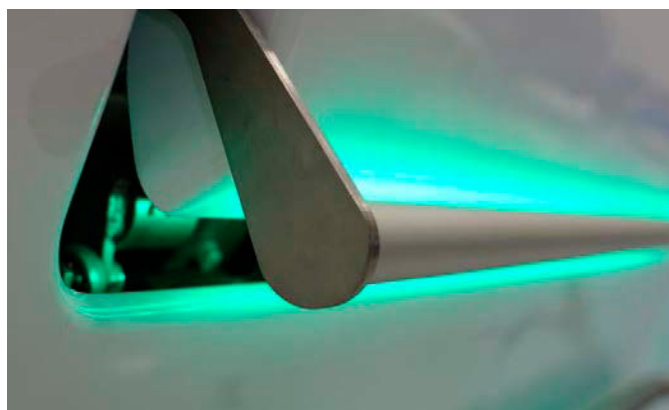
- With GRP, the covers have a monolithic surface, where the absence of seams and sharp angles mean dirt and bacteria build up is impossible.
- GRP is chemically inert, thus very easy to clean and corrosion free, no matter what detergent is used.
- The white paint used on the GRP covers is enhanced with an anti-bacterial substance, titanium dioxide, giving the GRP covers self-cleaning properties.



## Traceability

Where hygiene and cleanliness are involved, traceability is paramount. The Siemens microprocessor control system allows you to log and store all relevant parameters per individual washing cycle, from temperatures to water levels and cycle times.

The Lapauw Mediwave also has a built-in LED signalization unit. The versatile LED unit allows the Mediwave to go beyond just indicating whether its working or not and indicates its full status, even to when it's loaded or unloaded.



built-in LED signalization unit

## From hospital laundry to clean room

The GRP covers assure that the Mediwave can be used in even the strictest environments but with the Mediwave, Lapauw takes hygiene further than the skin.

The Mediwave offers a whole range of accessories and options to meet your requirements and demands on hygiene and cleanliness, from plugs to take sample water or connect a PH-measurement system to an air tight seal and over pressure connection, that is required in clean room environments.



Clean Room

## Optimizing efficiency

In today's laundry, energy and operational efficiency are paramount.

The Mediwave offers an extended range of features to increase efficiency in key points :

- The specially shaped drum and carefully located soap injection system in the drum assure optimal distribution of the detergents in the bath
- The drum is suspended in high mounted, pneumatic shock-absorbers, allowing the drum to rest in a natural balanced position and, thus, minimizing unbalances.
- The dynamic water level measuring system, combined with the automatic weighing system (option) provides you optimal control of the water consumption, detergents and even the residual moisture.



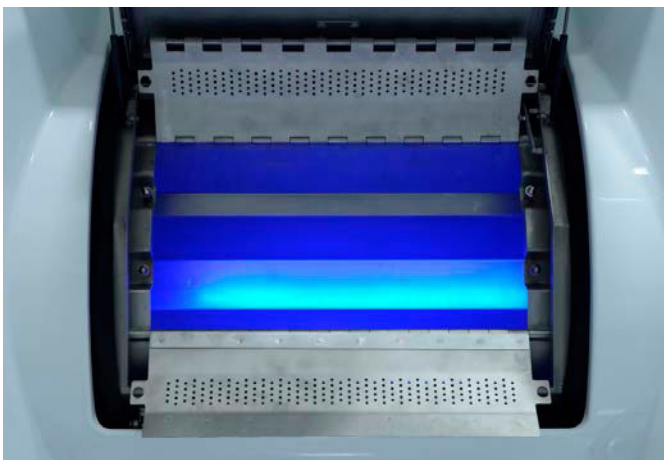
Pneumatic shock-absorbers

## The most ergonomic barrier washer

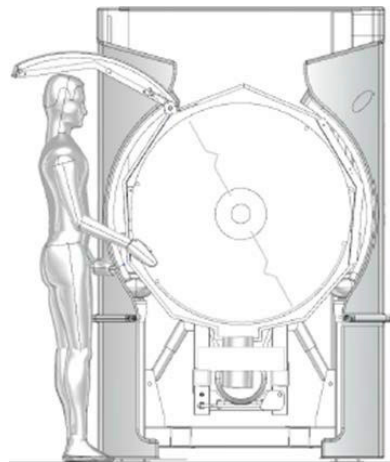
Lapauw designed the Mediwave with the well-being of the operator in mind. Therefore ergonomics are an important part of the machine design.

The GRP cover is designed in such a way that the operator stands closer to the drum, compared to other barrier washers today. Also, the repositioned drum with large access opening, allows easier access to the drum. The Siemens control system is an intuitive system that is easy to understand and use.

These features make the Mediwave the most ergonomic washer extractor on the market, providing the operator with maximum comfort and well-being.

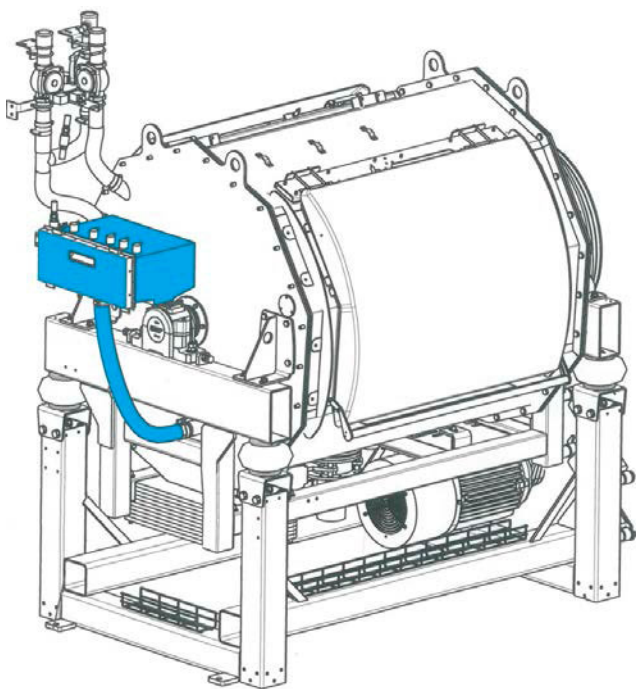


Enlarged opening

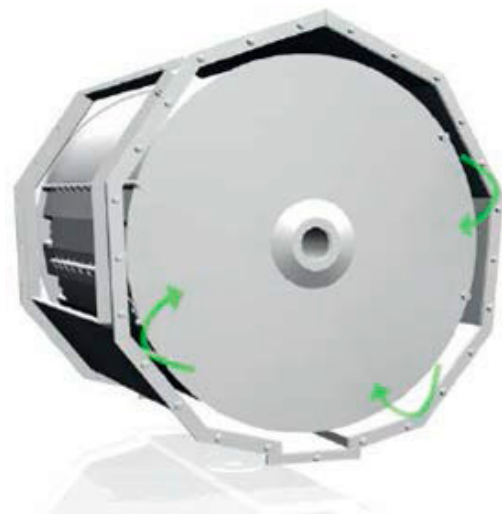


Specially designed covers and drum access assure that the operator endures less strain while (un)loading the machine.

Drum access height optimized for operator heights.



Optimal entry points for detergents.



Inner drum:  
Turbulences ensure optimal spread of detergents in bath.

Angular outer drum:  
Optimal distribution of detergents & high mechanical action.

# Classic *Stainless steel* version of the Mediwave: Lapauw Pullman



## Lapauw Pullman range covers capacity demand

From 60 kg up to 260 kg. With this vast range, Lapauw offers a hygienic barrier solution for every customer, whether it's a private clinic or a large hospital laundry.

## 2 pocket and 3 pocket versions: Any type of application possible

The Lapauw Pullman range is available in 2 and 3 pocket versions, assuring you the best solution for any application. 3 pockets offers efficiency and ease for large flatwork like sheets. The 2 pocket drum provides private hospitals and health resorts with the optimal solution to treat a wide range of items, from sheets to the residents private wash.



**LAUNDRIES**  
Belgium & France  
Pullman C600 & C800

# Pullman

= The classic stainless steel version of the Mediwave

## Dimensions

	C600	C800	C1100	C1600	C2000
Width (mm)	1.640	1.870	2.250	2.417	2.487
Depth (mm)	1.550	1.550	1.550	1.656	1.746
Height (mm)	2.410	2.410	2.410	2.445	2.535
Weight (kg)	1.700	2.000	2.300	2.850	5.000

# Mediwave

## Dimensions

	C600	C800	C1100
Width (mm)	1.700	1.700	2.100
Depth (mm)	1.495	1.495	1.495
Height (mm)	2.259	2.259	2.259
Weight (kg)	1.350	1.600	1.850

# Mediwave & Pullman

## Technical Specifications

		Mediwave				
		Pullman				
		C600	C800	C1100	C1600	C2000
Loading capacity	kg	60	80	110	160	200
Compartments	#	2 or 3	2 or 3	2 or 3	3	3
Drum volume	liter	604	787	1.135	1.595	1.946
Drum diameter	mm	1.080	1.080	1.080	1.250	1.350
Drum depth	mm	660	860	1.240	1.300	1.360
Door opening surface	mm <sup>2</sup>	2.376	3.432	4.230	4.230	4.230
Extract speed	RPM	700	700	700	650	630
G-factor	-	300	300	300	300	300
Motorpower	kW	7,5	11	15	18,5	22
Water inlet 2x	inch	6/4" (DN40)	6/4" (DN40)	6/4" (DN40)	2" (DN50)	2" (DN50)
Steam inlet	inch	3/4" (DN20)	3/4" (DN20)	3/4" (DN20)	1" (DN25)	1" (DN25)
Compressed air inlet	inch	3/8" (DN10)	3/8" (DN10)	3/8" (DN10)	3/8" (DN10)	3/8" (DN10)
Drain diameter	inch	4" (DN100)	4" (DN100)	4" (DN100)	6" (DN150)	6" (DN150)
Soap units	#	5	5	5	5	5
Noise level	db	72	72	72	72	72

# Washer Extractors: More key benefits

## User-friendly *control unit*



SIEMENS control unit screens (Multilingual)

### Intuitive system

The intuitive system eases up programming and setting up the washing programs for the operator.

### Maximum flexibility

The unit has room for up to 100 programs of 30 steps each. This is more than enough room for all your washing programs, but also offering you maximal flexibility to create the optimal washing conditions, including intermediate extraction.

### Flexi-speed: optimal speed settings

The drive system, with frequency controlled drive motor, offers you full control over the wash-, rinse- and extraction speeds.

## Maintaining the lowest *Total Cost of Ownership*

Total Cost of Ownership (TCO) or how Lapauw helps you to keep your revenues high.

Nowadays, investing in laundry machinery involves a lot more than just the purchase price. As the machine must make money in a very competitive business, The TCO has gained in importance.

We, from Lapauw, invest a lot to offer our customers machines that keep the TCO to an absolute minimum. To achieve this, we have 3 programs:

- **Constant product innovation:** One of the main points where money can be saved or won is with machine efficiency. This can only be achieved through constant innovation, something that Lapauw invests heavily in.
- **Low maintenance machines:** Accessibility and ease of maintenance are key words in reducing operational costs. So Lapauw is dedicated to simplify machine construction.
- Last but not least, Lapauw maintains an '**open spare parts philosophy**'. Spare parts can be extremely expensive, especially when spare parts are shielded and can only be purchased from the machine manufacturer only. Lapauw provides full transparency, allowing the customer the freedom to buy his spare parts where he gets the best conditions. Nevertheless, we maintain an elaborate stock of the most common spare parts.

Contact us or one of our distributors when you want more info.



# Washer Extractors: Options

## Water *recovery*

Lapauw offers an extensive range of water recovery features on its washer extractors.

Every Lapauw washer leaves the factory with a water recovery plug that is mounted on the drain, allowing the washer to be connected to any water recovery system, whether it is new or existing. Optional custom built water recovery tanks allow you to equip your Lapauw washer extractor with a stand-alone water recovery system, even when your machine is already in operation.

The microprocessor controller already has the necessary parameter sets to program and manage the recuperation process.



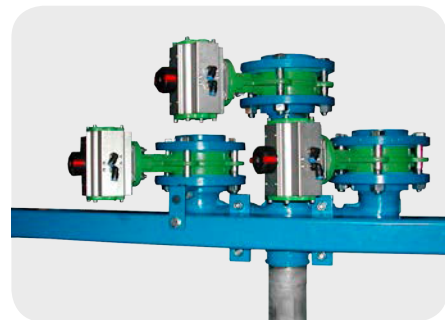
## Automatic *weighing* system

With the automatic weighing system, you automatically and precisely adapt the precise amounts of water, steam and detergents. It even also allows you to control the residual moisture.



## Additional water *inlet valve*

Each Lapauw washer extractor is equipped with 2 water inlet valves. A third water inlet valve can be added.

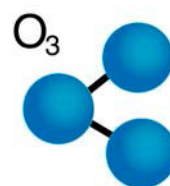


## Automatic doors *on Mediwave*

## Second screen *on Mediwave*



## Usage of *ozone*



Ozone not only disinfects, but it also reduces energy consumptions because it enhances the washing performance of the detergents.

## Water *flow* meter

The water flow meter allows you to control the water consumption with pinpoint accuracy.

# Lapauw's Trolley-Wash

## Key Benefits

### Designed for hygiene

Not only is the machine constructed entirely of stainless steel, the machine is also prepared for integration in a hygienic barrier wall. The Trolley-Wash is as standard equipped with a double sided entry/exit. An interlock system prevents both doors from being opened at the same time.



Double sided entry/exit

### Full disinfection

Whoever says hygiene, says disinfection. Next to a chemical disinfection (adding disinfectants to the wash cycle), the dry cycle also allows you to perform a thermal disinfection by heating the cabin with steam (fully programmable in time and temperature). These functions make the Trolley Wash the best machine of choice when it comes to hygiene.

### Cleaning cycle

Similar to the Lapauw washer extractors, you can choose between different cleaning cycles when operating the Trolley-Wash. Next to a wash cycle, there's also a rinse and a dry cycle. The total cycle time can be controlled through the drying cycle.

### PLC control system

The PLC control system allows you to create different programs. A multicolor, LCD touch-screen provides optimal programming conditions and follow-up. An optional small screen at the clean side allows the operator at this side to follow the process as well.

### Dry to the touch

In hygienic environments, dryness is a requirement, as moist surfaces promote germ growth. The Lapauw Trolley-Wash has everything in place to assure dry trolleys when they leave the cabin. For instance: controlled bursts of compressed air during the drying cycle that help to remove the water. A built in tilting mechanism allows the Trolley-Wash to tilt the trolleys 3° towards the drain to evacuate water from horizontal surfaces.

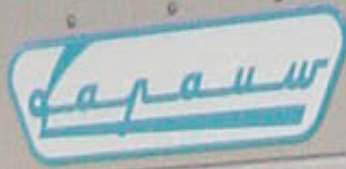
### Traceability

The PLC control system allows the user to create different programs and full traceability of the process. The PLC system has a large, full color touch screen. This allows the user an "on-the-spot" follow-up of the cycles. Moreover, the PLC stores the data of every washing cycle, allowing the user to issue a cleaning and disinfection report when needed.



PLC Control System





# Technical Specifications

## Dimensions

	1/A	1/B	1	2	3	4
Inner length (mm)	1440	1950	2750	3750	4500	5620
Outer length (mm)	1500	2200	3000	4000	4750	5875
Width (mm)	1800	1800	1800	1800	1800	1800
Height (mm)	2520	2520	2520	2520	2520	2520
Max. entry door (mm)	1100 x 1880	1100 x 1880	1100 x 1880	1100 x 1880	1100 x 1880	1100 x 1880
Weight (kg)	1300	1500	1800	2100	2300	2600

## General

		1/A	1/B	1	2	3	4
Fresh air intake	mm	1 x 160	1 x 160	1 x 160	2 x 160	2 x 160	2 x 160
Motorpower vapour exhaust	kW	1.5	1.5	1.5	1.5	1.5	1.5
Vapour exhaust Ø	mm	160	160	160	160	160	2 x 160
Motor power sprinklers (10bar)	kW	4	4	4	4	4	4
Water inlet Ø 1x		1 1/4" (DN32)	1 1/2" (DN40)	1 1/2" (DN40)	1 1/2" (DN40)	1 1/2" (DN40)	1 1/2" (DN40)
Drain Ø		1 x 2 1/2" (DN65)	1 x 2 1/2" (DN65)	1 x 2 1/2" (DN65)	2 x 2 1/2" (DN65)	2 x 2 1/2" (DN65)	2 x 2 1/2" (DN65)
Steam inlet Ø 1x		1" (DN25)	1 1/4" (DN32)	1 1/4" (DN32)	1 1/4" (DN32)	1 1/4" (DN32)	1 1/4" (DN32)
Compressed air inlet Ø 1x		3/8" (DN10)	3/8" (DN10)	3/8" (DN10)	3/8" (DN10)	3/8" (DN10)	3/8" (DN10)
Water tank	liter	90	90	200	200	300	300
Liquid connections	#	2	2	2	2	2	2

## Possible options

	1/A	1/B	1	2	3	4
Electrical heated	v	v	v	v	v	v
Water-rinse tank	v	v	v	v	v	v
15 bar water pump (7.5 kW)		v	v	v	v	v
Moveable conveyor (0.12 kW)				v	v	v

Lapauw:

# Product Overview

## WASHING SOLUTIONS



### OPEN POCKET WASHER EXTRACTOR

Available: 60, 100, 120, 160, 200, 300 kg with frontal loading.



### 3 POCKET FRONTAL WASHER EXTRACTOR

Available: 60, 100, 160, 200, 300, 400 kg with frontal loading.



### MEDIWAVE WASHER EXTRACTOR

Available: 60, 80, 110 kg with side loading.  
Type: Barrier Washer.



### PULLMAN WASHER EXTRACTOR

Available: 40, 60, 80, 110, 160, 200, 260 kg with side loading.  
Type: Barrier washer.



### TOPLOADER WASHER EXTRACTOR

Available: 120, 160, 200 kg with frontal loading.



### TROLLEY-WASH



Disinfection, washing & drying. Multiple executions possible.

## IRONING SOLUTIONS



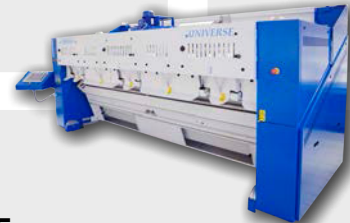
### UNIFEED

Independent vacuum feeder for small items.



### STARFEED

Small piece feeding unit for high quality manual feeding.



### UNIVERSE

2-3-4 feeding stations, 1-2 lanes, up to 650 items/hour with manual feeding.



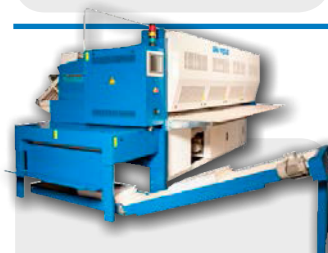
### CLASSIC IRONER

- Ø 500, 600, 800, 900, 1200 or 1600mm.
- 1, 2 or 3 rolls.
- Gas, steam, electric or oil heated



### TURBOFAN

The most efficient, heavy duty, high capacity, gas heated double roll ironer.



### UNIFOLD

Universal folder with 2 to 3 primary folds by air, and 2 to 3 crossfolds by knife in multiple lanes with drop stacker.



### SUPERFOLD

High quality folder with 2 to 3 primary folds by knife, 2 to 3 crossfolds by knife with automatic correction in multiple lanes & roll off stacker.

## SOLUTIONS



### STARFEED+

One feeding station, one lane, up to 250 items/hour.



### EXTRA

Two stations cornerless feeding, up to 750 items/hour.



### UNIX

3-4 feeding stations, 1-2 lanes, up to 1800 items/hour with manual feeding.



### XXL

- Ø 1600 mm.
- Gas or steam heated.
- Chest covers roll over 286°.



### RELAX

Double roll Ø 800 mm steam heated ironer, perfect for basic ironing.



### STARFOLD

Cost effective folder with 2 to 3 primary folds by air in multiple lanes. The Starfold is the ideal single roll folder.



### STACK & FOLD

Small piece folding & stacking, in multiple lanes. 1 cross fold + stacking.

## GARMENT SOLUTIONS



### HOT STREAM TUNNEL FINISHER

Available in Mono & Duo, both gas or steam heated.

- Mono: T1 - T6: 150 - 1000 items/hour.
- Duo: T2 - T6: 750 - 2000 items/hour.

### CONVEYOR SYSTEM

Ultra compact and flexible garment handling system with capacity up to 2000 items/hour. Endless chain system transports garments shoulder-to-shoulder.

### GARMENT FOLDER

Garment folder with capacity of 800 items/hour and one primary fold & 2 cross folds. Modular robotic system which handles any type of hanger available.

## CLEANROOM SOLUTIONS



### MEDIWAVE

Double sided Barrier washer with 2 compartments. Front cover exists out of Glass Reinforced Polymer, which is used in cleanrooms.

### MEDISTREAM

First 100% cleanroom dryer, highly complementary with the Lapauw Mediwave. Keywords: ergonomics, hygiene and user-friendliness.



OUDE IEPERSEWEG 139  
8501 HEULE, BELGIUM

TEL. +32 (0)56 35 42 95  
FAX. +32 (0)56 35 45 59  
INFO@LAPAUW.BE  
WWW.LAPAUW.BE